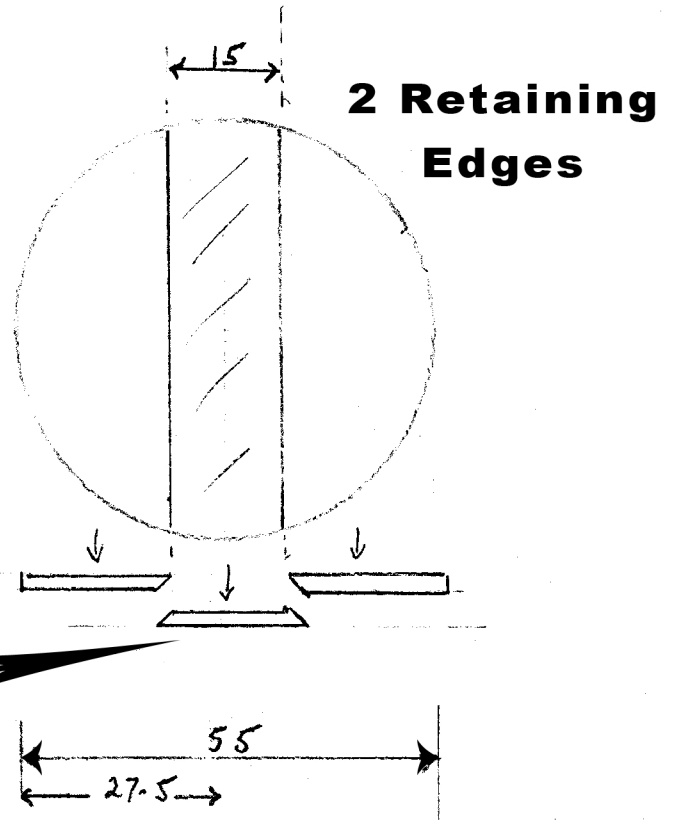
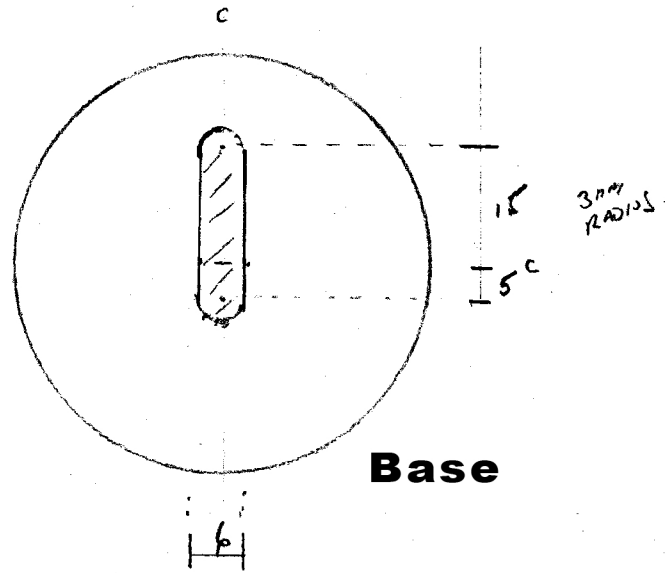
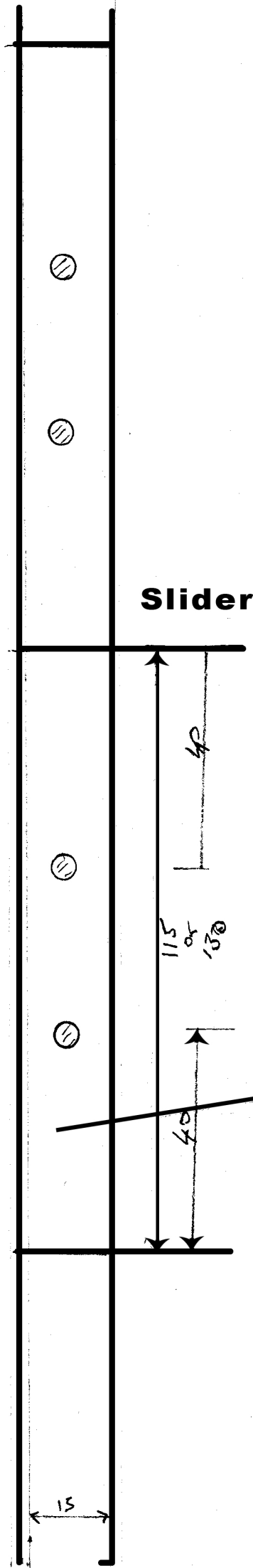


## Construction Notes

Made of black mountboard. All dimensions in mm

This device contains several sliders that can have a variety of pinholes and these sliders slide so as to allow the pinhole to move vertically. The sliders are bevel cut and the retaining edges bevel cut so as to retain the slider. This can be created using a mountboard cutter that will cut at 45 degrees.



SLIDE

**Sketch of Design  
for  
MK III Pinhole Device  
Produced by Camera Images**